



## Specification of LED Inground Light

### 1. General Introduction:

3W CREE IP65 outdoor spike lights garden spike lights

The spike spot lights are widely used for illuminating your yard and path. The waterproof spike light provides general outdoor ground lighting applications. Exterior spike lights are the very flexible way for wall mounted styles or spike styles for outdoor lighting. Do you want to make your garden brighter and more welcoming with our fantastic range of outdoor garden LED lighting?

We are a provider of high quality outdoor and garden lighting systems and solutions for your home.

LED garden lights offer a cost effective way to bring a new eye-catching feature to life after dark. Why not check out our guide to LED garden Light? And use Modern wall lights to traditional garden lanterns, to more functional floodlights. The Garden Light is a magic to your evening garden and light up your landscape with a LED Garden Lights. It adds shining colors and special lighting effects to your home garden. Strong and durable LED spike lights suitable for outdoor use. Simple to install, no tools required. Powered by the mains supply. Emits a warm white light or RGB color.

LED garden lights can do miracles for the atmosphere in your garden, especially in winter!

**Item:** GNH-GL-3X1W-O

**Power:**3W;

**Date:** May. 29th, 2016





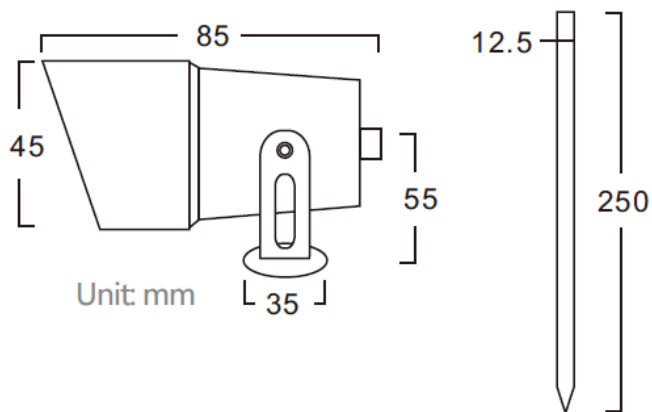
### 2. Product Introduction

#### Characteristics

1. Aluminum body with glass
2. Good heat dissipation performance and waterproof design.
3. The unique optical PMMA clear lens ensure the brightness maintenance and projection effect.
4. High quality CREE LED as light source..
5. Exquisite appearance, beautiful designed.
6. Energy saving; life span over 50,000hours
7. Voltage in DC12-24V, safety to use for outdoor or indoor.
8. Emitting colors: single color-white, cool white, red, green, blue, and yellow.

### 3. Specifications and parameters

#### Size detail:





### Specification:

Item No.:	GNH-GL-3X1W-O
Wattage (W):	3W
Voltage(V)	DC12-24V
LED Type:	COB
LED Quantity:	1PCS
Color:	White, Green, Blue, Red, Yellow,
Beam Angle:	24°
Size:	D45XL85
IP Rating	IP67
Body Material	6063 Aluminum
Ambient Temperature:	-20 ~ 45°C

### 4.Installation way:

Installation diagram:





### Attention:

1. Warning: this lamp may only be used with the led light source provided.
2. Please connect the LED lamp to the driver before connecting the driver to the outlet or you may damage the LED light source.
3. Only clean surface with a mild cleaning agent using a soft cloth.

### 5. Packing detail:

Part No.	Package dimension
GNH-GL-3X1W-O	Carton size: 650*420*310MM Q'ty:54pcs/carton G.W.:36.00KG/carton

### 6. Application:

1. Advertising signs and other fine decorative indoor/outdoor.
2. Middle and top grade stores, shopping malls and other indoor commercial lighting atmosphere.
3. Building outline, glass curtain wall lighting.
4. Garden or street for spot or decoration.

